
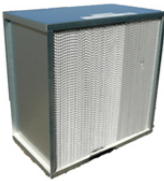
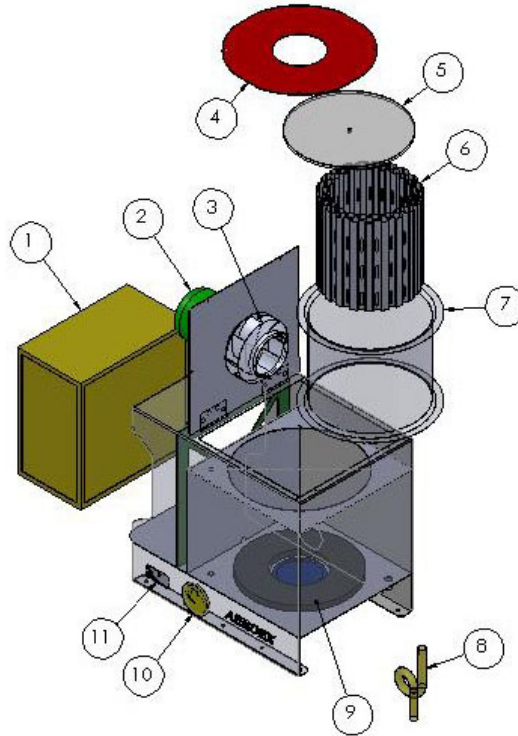


**2016 Spare Parts ROX-800 / 1100
Oil Filter Ring for Straight Oil Applications**

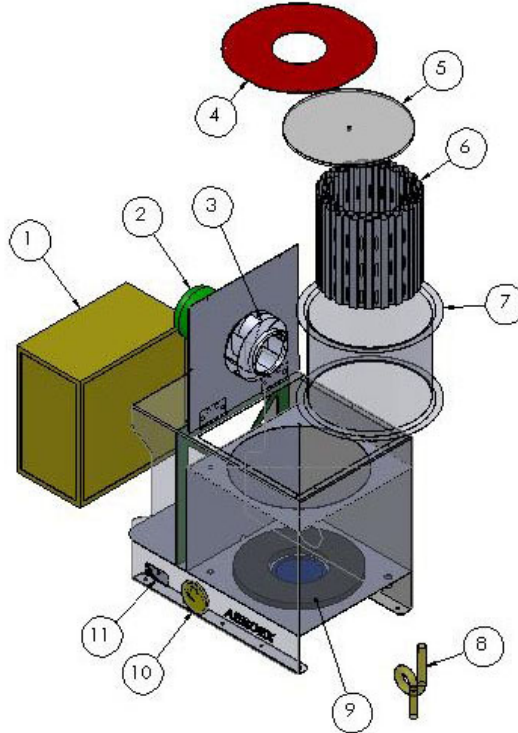
Filter Options	Part Number		Application/Comments
1 st stage Mechanical Elements	1100ME-002		Standard on all units Does not normally need replaced.
2 nd stage Agglomerator filter	1100AF-2010		
2 nd stage Oil filter ring	1100FR-2204		High efficiency
2 nd stage Oil filter ring HD	1100FR-2206		Highest efficiency
3 rd stage filter HEPA 95% @ 0.3 microns	2000HF-095 or 2000HF-2095		Standard supply Captures 100% of mist Captures 80%- 99% smoke Check part # before ordering
3 rd stage filter HEPA 99.9% @ 0.3 microns	2000HF-099 or 2000HF-2099		For absolute clean air Captures 100% of mist Captures 99% smoke Check part # before ordering

**Parts List Model ROX-800
Oil Filter Ring**



Item #	Description	Qty	Part #
1(a)	HEPA Filter, 95% @ 0.3 um, <i>prior to 2015</i>	1	2000HF-095
1(b)	HEPA Filter, 95% @ 0.3 um, <i>after Jan 2015</i>	1	2000HF-2095
1(c)	HEPA Filter, 99.97% @ 0.3 um, <i>prior to 2015</i>	1	2000HF-099
7(d)	HEPA Filter, 99.97% @ 0.3 um, <i>after Jan 2015</i>	1	2000HF-2099
2(a)	Motor 1.5 hp 230/460/3/60	1	1100M-230460
2(b)	575/3/60	1	1100M-575
3	Fan impeller	1	800FI-250
4	Impeller inlet plate	1	800IP-001
5	Pressure plate	1	1100PP-2002
6	1 st stage mechanical elements	1	1100ME-002
7(a)	2 nd stage agglomerator filter	1	1100AF-2010
7(b)	2 nd stage oil filter ring, high efficiency	1	1100FR-2204
7(c)	2 nd stage oil filter ring, HD	1	1100FR-2206
8	Drain hose, 2 drains	per foot	990DH-1075
9	Bottom rubber gasket (<i>applicable prior to Jan 2013</i>)	1	1100BG-001
10	Magnehelic pressure gauge	1	20000MG-001

Parts List Model ROX-1100
Oil Filter Ring



Item #	Description	Qty	Part #
1(a)	HEPA Filter, 95% @ 0.3 um, <i>prior to 2015</i>	1	2000HF-095
1(b)	HEPA Filter, 95% @ 0.3 um, <i>after Jan 2015</i>	1	2000HF-2095
1(c)	HEPA Filter, 99.97% @ 0.3 um, <i>prior to 2015</i>	1	2000HF-099
7(d)	HEPA Filter, 99.97% @ 0.3 um, <i>after Jan 2015</i>	1	2000HF-2099
2(a)	Motor 1.5 hp 230/460/3/60	1	1100M-230460
2(b)	575/3/60	1	1100M-575
3	Fan impeller	1	1100FI-280
4	Impeller inlet plate	1	1100IP-001
5	Pressure plate	1	1100PP-2002
6	1 st stage mechanical elements	1	1100ME-001
7(a)	2 nd stage agglomerator filter	1	1100AF-2010
7(b)	2 nd stage oil filter ring, high efficiency	1	1100FR-2204
7(c)	2 nd stage oil filter ring, HD	1	1100FR-2206
8	Drain hose, 2 drains	per foot	990DH-1075
9	Bottom rubber gasket (<i>applicable prior to Jan 2013</i>)	1	1100BG-001
10	Magnehelic pressure gauge	1	20000MG-001