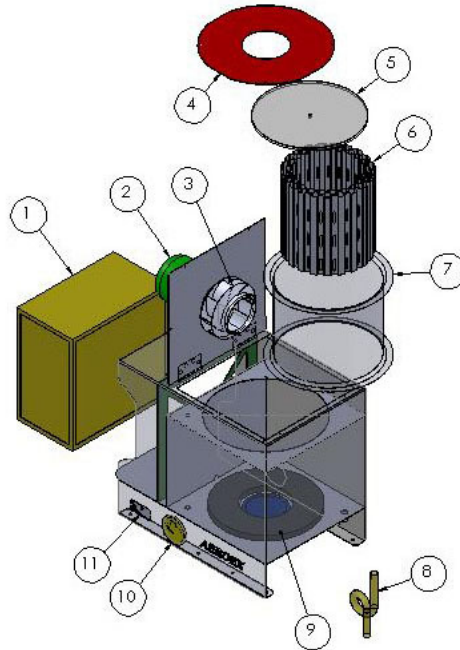


**Spare Parts ROX-400 / 600**

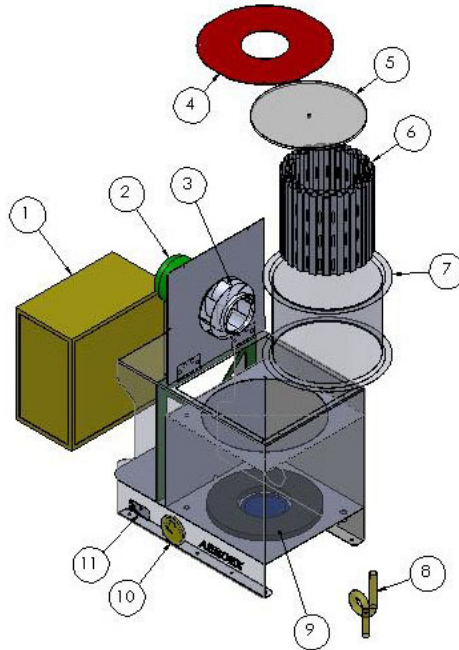
Filter Options	Part Number		Application/Comments
1 <sup>st</sup> stage Mechanical Elements	600ME-002		Standard on all units Does not normally need replaced.
2 <sup>nd</sup> stage Agglomerator filter Coolant	600AF-012		High efficiency
2 <sup>nd</sup> stage Agglomerator filter Coolant HD	600AF-013		Heavy coolant mist
2 <sup>nd</sup> stage Agglomerator filter Oil	600AF-014		High efficiency
2 <sup>nd</sup> stage Agglomerator filter Oil HD	600AF-015		Heavy oil mist
3 <sup>rd</sup> stage filter 4" MERV 14	600PF-014		Coolant or oil Low to medium mist Cast iron
3 <sup>rd</sup> stage filter HEPA 95% @ 0.3 microns	600HF-095 or 600HF-2095		Captures 100% of mist Captures 80%- 99% smoke <b>Check part # before ordering</b>
3 <sup>rd</sup> stage filter HEPA 99.9% @ 0.3 microns	600HF-099 or 600HF-2099		For absolute clean air Captures 100% of mist Captures 99.9% smoke <b>Check part # before ordering</b>

Parts List Model ROX-400



Item #	Description	Qty	Part #
1(a)	Filter, 4" MERV 14	1	600PF-014
1(b)	HEPA Filter, 95% @ 0.3 um, <i>prior to 2015</i>	1	600HF-095
1(c)	HEPA Filter, 95% @ 0.3 um, <i>after Jan 2015</i>	1	600HF2095
7(d)	HEPA Filter, 99.97% @ 0.3 um, <i>prior to 2015</i>	1	600HF-099
7(e)	HEPA Filter, 99.97% @ 0.3 um, <i>after Jan 2015</i>	1	600HF2099
2(a)	Motor 0.75 hp 115/230/1/60	1	600M-115230
2(b)	230/460/3/60	1	600M-230460
2(c)	575/3/60	1	600M-575
3	Fan impeller	1	400FI-225
4	Impeller inlet plate	1	400IP-001
5(a)	Pressure plate	1	600PP-002
5(b)	Pressure plate gasket ( <i>applicable prior to Jan 2013</i> )	1	600PPG-001
6(b)	1 <sup>st</sup> stage mechanical elements, mild steel	1	600ME-002
6(b)	1 <sup>st</sup> stage mechanical elements, SS304	1	600ME-002SS
7(a)	2 <sup>nd</sup> stage agglomerator filter, coolant	1	600AF-012
7(b)	Above with On-Line Cleaning	1	600AF-012-OLC
7(c)	2 <sup>nd</sup> stage agglomerator filter, coolant HD	1	600AF-013
7(d)	Above with On-Line Cleaning	1	600AF-013-OLC
7(e)	2 <sup>nd</sup> stage agglomerator filter, oil	1	600AF-014
7(f)	2 <sup>nd</sup> stage agglomerator filter, oil HD	1	600AF-015
8	Drain hose, 2 drains	per foot	990DH-1075
9	Bottom foam gasket ( <i>applicable prior to Jan 2013</i> )	1	600BG-001
10	Magnehelic pressure gauge	1	2000MG-001

Parts List Model ROX-600



Item #	Description	Qty	Part #
1(a)	Filter, 4" MERV 14	1	600PF-014
1(b)	HEPA Filter, 95% @ 0.3 um, <i>prior to 2015</i>	1	600HF-095
1(c)	HEPA Filter, 95% @ 0.3 um, <i>after Jan 2015</i>	1	600HF2095
7(d)	HEPA Filter, 99.97% @ 0.3 um, <i>prior to 2015</i>	1	600HF-099
7(e)	HEPA Filter, 99.97% @ 0.3 um, <i>after Jan 2015</i>	1	600HF2099
2(a)	Motor 0.75 hp 115/230/60	1	600M-115230
2(b)	230/460/3/60	1	600M-230460
2(c)	575/3/60	1	600M-575
3	Fan impeller	1	600FI-250
4	Impeller inlet plate	1	600IP-001
5(a)	Pressure plate	1	600PP-002
5(b)	Pressure plate gasket ( <i>applicable prior to Jan 2013</i> )	1	600PPG-001
6(b)	1 <sup>st</sup> stage mechanical elements, mild steel	1	600ME-002
6(b)	1 <sup>st</sup> stage mechanical elements,, SS304	1	600ME-002SS
7(a)	2 <sup>nd</sup> stage agglomerator filter, coolant	1	600AF-012
7(b)	Above with On-Line Cleaning	1	600AF-012-OLC
7(c)	2 <sup>nd</sup> stage agglomerator filter, coolant HD	1	600AF-013
7(d)	Above with On-Line Cleaning	1	600AF-013-OLC
7(e)	2 <sup>nd</sup> stage agglomerator filter, oil	1	600AF-014
7(f)	2nd stage agglomerator filter, oil HD	1	600AF-015
8	Drain hose, 2 drains	per foot	990DH-1075
9	Bottom foam gasket ( <i>applicable prior to Jan 2013</i> )	1	600BG-001
10	Magnehelic pressure gauge	1	2000MG-001