



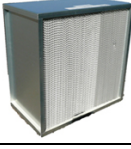
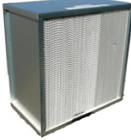
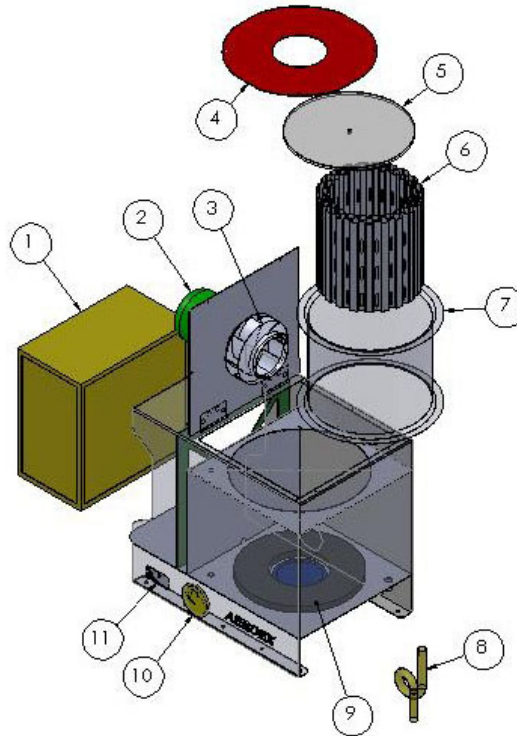


Spare Parts ROX-400 / 600 Oil Filter Ring for Straight Oil Applications

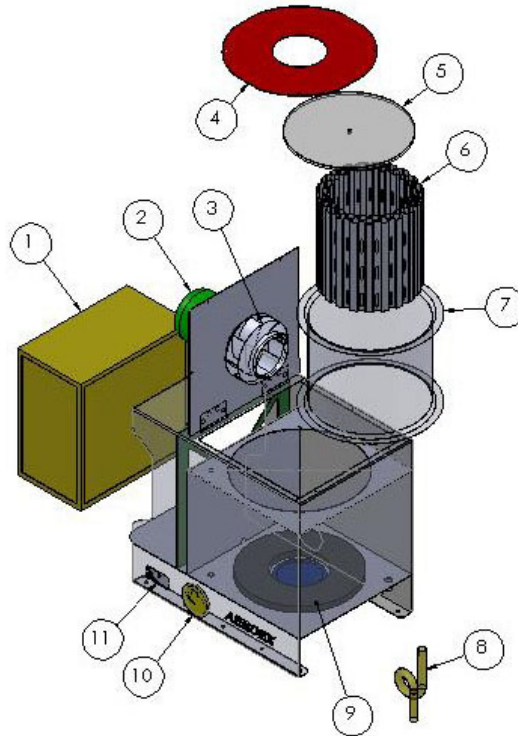
Filter Options	Part Number		Application/Comments
1 st stage Mechanical Elements	600ME-002		Standard on all units Does not normally need replaced.
2 nd stage Agglomerator filter	600AF-2010		
2 nd stage Oil filter ring	600FR-2204		High efficiency
2 nd stage Oil Filter Ring HD	600AF-2206		Highest efficiency
3 rd stage filter HEPA 95% @ 0.3 microns	600HF-095 or 600HF-2095		Captures 100% of mist Captures 80%- 99% smoke Same filter for 400 and 600 Check part# before ordering
3 rd stage filter HEPA 99.97% @ 0.3 microns	600HF-099 or 600HF-2099		Captures 100% of mist Captures 99.9% smoke Same filter for 400 and 600 Check part# before ordering

Parts List Model ROX-400
Oil Filter Ring



Item #	Description	Qty	Part #
1(a)	HEPA Filter, 95% @ 0.3 um, <i>prior to 2015</i>	1	600HF-095
1(b)	HEPA Filter, 95% @ 0.3 um, <i>after Jan 2015</i>	1	600HF2095
1(c)	HEPA Filter, 99.97% @ 0.3 um, <i>prior to 2015</i>	1	600HF-099
1(d)	HEPA Filter, 99.97% @ 0.3 um, <i>after Jan 2015</i>	1	600HF2099
2(a)	Motor 0.75 hp 115/230/1/60	1	600M-115230
2(b)	230/460/3/60	1	600M-230460
2(c)	575/3/60	1	600M-575
3	Fan impeller	1	400FI-225
4	Impeller inlet plate	1	400IP-001
5	Pressure plate	1	600PP-2002
6(b)	1 st stage mechanical elements, mild steel	1	600ME-002
6(b)	1 st stage mechanical elements,, SS304	1	600ME-002SS
7(a)	2 nd stage agglomerator filter, coolant	1	600AF-2010
7(b)	Oil filter ring	1	600FR-2204
7(c)	Oil filter ring HD	1	600FR-2206
8	Drain hose, 2 drains	per foot	600DH-001
9	Bottom foam gasket (<i>applicable prior to Jan 2013</i>)	1	600BG-001
10	Magnehelic pressure gauge	1	2000MG-001

**Parts List Model ROX-600
Oil Filter Ring**



Item #	Description	Qty	Part #
1(a)	HEPA Filter, 95% @ 0.3 um, <i>prior to 2015</i>	1	600HF-095
1(b)	HEPA Filter, 95% @ 0.3 um, <i>after Jan 2015</i>	1	600HF2095
1(c)	HEPA Filter, 99.97% @ 0.3 um, <i>prior to 2015</i>	1	600HF-099
1(d)	HEPA Filter, 99.97% @ 0.3 um, <i>after Jan 2015</i>	1	600HF2099
2(a)	Motor 0.75 hp 115/230/1/60	1	600M-115230
2(b)	230/460/3/60	1	600M-230460
2(c)	575/3/60	1	600M-575
3	Fan impeller	1	600FI-225
4	Impeller inlet plate	1	600IP-001
5	Pressure plate	1	600PP-2002
6(b)	1 st stage mechanical elements, mild steel	1	600ME-002
6(b)	1 st stage mechanical elements,, SS304	1	600ME-002SS
7(a)	2 nd stage agglomerator filter, coolant	1	600AF-2010
7(b)	Oil filter ring	1	600FR-2204
7(c)	Oil filter ring HD	1	600FR-2206
8	Drain hose, 2 drains	per foot	990DH-1075
9	Bottom foam gasket (<i>applicable prior to Jan 2013</i>)	1	600BG-001
10	Magnehelic pressure gauge	1	2000MG-001