


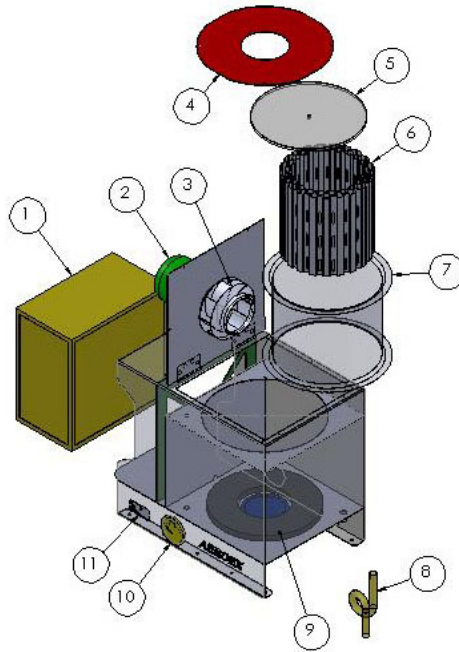


2016 Spare Parts ROX-2000

Filter Options	Part Number		Application/Comments
1 st stage Mechanical Elements	2000ME-002		Standard on all units Does not normally need replaced.
2 nd stage Agglomerator filter Coolant	2000AF-012		High efficiency
2 nd stage Agglomerator filter Coolant HD	2000AF-013		Heavy coolant mist
2 nd stage Agglomerator filter Oil	2000AF-014		High efficiency
2 nd stage Agglomerator filter Oil HD	2000AF-015		Heavy oil mist
3 rd stage filter HEPA 95% @ 0.3 microns	2000HF-095 or 2000HF-2095		Standard supply Captures 100% of mist Captures 80%- 99% smoke Check part # before ordering
3 rd stage filter HEPA 99.9% @ 0.3 microns	2000HF-099 or 2000HF-2099		For absolute clean air Captures 100% of mist Captures 99% smoke Check part # before ordering

2016 Parts Model ROX-2000



Item #	Description	Qty	Part #
1(a)	HEPA Filter, 95% @ 0.3 um, <i>prior to 2015</i>	1	2000HF-095
1(b)	HEPA Filter, 95% @ 0.3 um, <i>after Jan 2015</i>	1	2000HF-2095
1(c)	HEPA Filter, 99.97% @ 0.3 um, <i>prior to 2015</i>	1	2000HF-099
7(d)	HEPA Filter, 99.97% @ 0.3 um, <i>after Jan 2015</i>	1	2000HF-2099
2(a)	Motor 3hp 230/460/3/60	1	2000M-230460
2(b)	575/3/60	1	2000M-575
3	Fan impeller	1	2000FI-310
4	Impeller inlet plate	1	2000IP-001
5	Pressure plate	1	2000PP-002
5(b)	Pressure plate gasket (<i>applicable prior to Jan 2013</i>)	1	2000PPG-001
6	1 st stage mechanical elements	1	2000ME-001
7(a)	2 nd stage agglomerator filter, coolant	1	2000AF-012
7(b)	Above with On-Line Cleaning	1	2000AF-012-OLC
7(c)	2 nd stage agglomerator filter, coolant HD	1	2000AF-013
7(d)	Above with On-Line Cleaning	1	2000AF-013-OLC
7(e)	2 nd stage agglomerator filter, oil	1	2000AF-014
7(f)	2 nd stage agglomerator filter, oil HD	1	2000AF-015
8	Drain hose, 2 drains	per foot	990DH-1075
9	Bottom foam gasket (<i>applicable prior to Jan 2013</i>)	1	2000BG-001
10	Magnehelic pressure gauge	1	2000MG-001