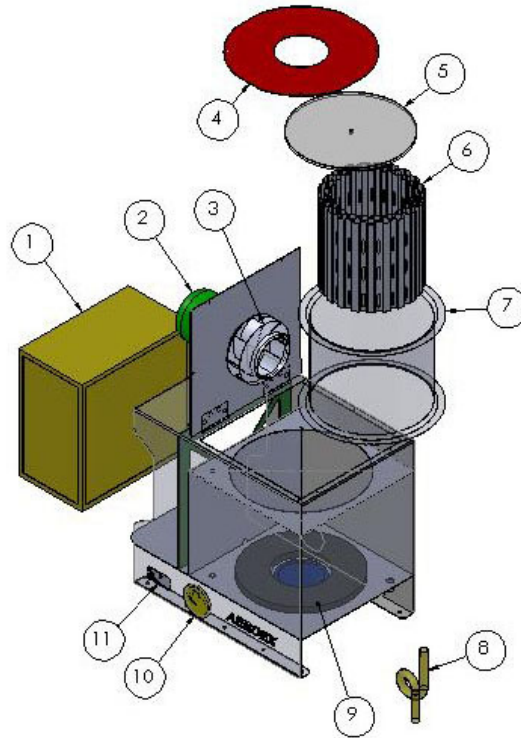


Spare Parts ROX-2000 Oil Filter Ring for Straight Oil Applications

Filter Options	Part Number		Application/Comments
1 st stage Mechanical Elements	2000ME-002		Standard on all units Does not normally need replaced.
2 nd stage Agglomerator filter	2000AF-2010		
2 nd stage Oil filter ring	2000FR-2204		High efficiency
2 nd stage Oil filter ring HD	2000FR-2206		Highest efficiency
3 rd stage filter HEPA 95% @ 0.3 microns	2000HF-095 or 2000HF-2095		Standard supply Captures 100% of mist Captures 80%- 99% smoke Check part # before ordering
3 rd stage filter HEPA 99.9% @ 0.3 microns	2000HF-099		For absolute clean air Captures 100% of mist Captures 99% smoke Check part # before ordering

Parts List Model ROX-2000
Oil Filter Ring



Item #	Description	Qty	Part #
1(a)	HEPA Filter, 95% @ 0.3 um, prior to 2015	1	2000HF-095
1(b)	HEPA Filter, 95% @ 0.3 um, after Jan 2015	1	2000HF-2095
1(c)	HEPA Filter, 99.97% @ 0.3 um, prior to 2015	1	2000HF-099
7(d)	HEPA Filter, 99.97% @ 0.3 um, after Jan 2015	1	2000HF-2099
2(a)	Motor 3hp 230/460/3/60	1	2000M-230460
2(b)	575/3/60	1	2000M-575
3	Fan impeller	1	2000FI-310
4	Impeller inlet plate	1	2000IP-001
5	Pressure plate	1	2000PP-2002
6	1 st stage mechanical elements	1	2000ME-001
7(a)	2 nd stage agglomerator filter	1	2000AF-2010
7(b)	2 nd stage oil filter ring, high efficiency	1	2000FR-2204
7(c)	2 nd stage oil filter ring, HD	1	2000FR-2206
8	Drain hose, 2 drains	per foot	990DH-1075
9	Bottom foam gasket ((applicable prior to Jan 2013)	1	2000BG-001
10	Magnehelic pressure gauge	1	2000MG-001