



ARO-400 Multi-Stage Oil Mist Collector

Small but big on ability !

The ARO multi-stage oil mist collectors separate mist in progressive stages reducing the potential of plugging. Filters are depth loading and designed to drain, suitable for 24/7 operation. Cross-flow filter design, air flow is horizontal, oil drains vertical down. Ideal for high pressure coolant and oil. Removes mist, smoke and bacteria. Unique 1st and 2nd separation stages. Optional On-Line Cleaning system

Long filter life... Low operating costs... Low maintenance... Clean air

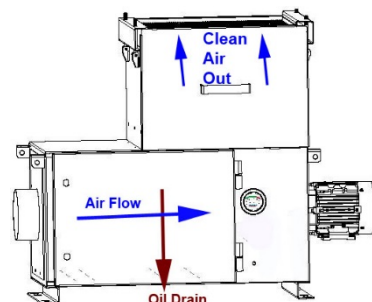
Separation Stages:

The innovative 1st stage `ME` Mechanical Element separates up to 90% of the oil mist and swarf. The smooth metal surfaces quickly drains fluid back to the sump.

The 2nd stage `AG` Agglomerator filter is very unique, manufactured in layers of stainless steel wire mesh weaved with oil attracting fibers. Efficiency is high as the air travels through a bed of coarse and fine fibers at low velocity. The AG media is very durable, lasting 10 – 15 years. Can be washed. *Used only for coolant applications.*

The 3rd stage `CM` Coolant Mist filter is depth loading fiber bed filter that capture small mist particles. . Typical life 1 – 3 years. For oil applications, 2nd+3rd stage `OM` Oil Mist pack is an unique two stage depth loading fiber bed filter. The `OM` can be supplied in 3 efficiencies. Typical life 1 – 3 years.

Final 4th stage `HF` HEPA filter captures sub-micron mist, smoke and bacteria. Efficiency 95% @ 0.3 μm is standard, optional 99.9% @ 0.3 μm . Typical life 2 – 4 years
HEPA filter is made with exclusive heavy duty filter media, no other product holds as much or lasts as long.



Shown, left hand door

Specifications:

Air Flow ARO-400	300 – 450 cfm
Machine tool enclosure	up to 120 ft ³
Filter Pressure, max	3.5" wg
Motor	0.75 hp
Voltage (amps)	110/220/1/60 (9.6/4.8) 230/460/3/60 (2.6/1.3) 575/3/60 (1.0)
Speed	3450 rpm
Temperature, max	160°F / 70° C
Weight	210 lbs
Length	32" frame, 43" overall
Width	21"
Height	35"
Inlet connection ARO-600	6"
Sound	67 dB(A)
HEPA filter (standard)	95% @ 0.3 μm
Clean air measurement	HEPA filter 95% < 0.050 mg/m ³ HEPA filter 99.9% < 0.010 mg/m ³

Optional:

HEPA Filter 99.9% @ 0.3 μm	Pillar stand
Installation kit	Portable unit
Motor starter	Wall mount
VFD motor starter	On-Line Cleaning system
Left hand or right hand door	

Aeroex Technologies Inc.
17 Hamilton Doad
Barrie, ON, Canada, L4N 8Y6
Tel: 705-734-0199 Fax: 705-734-1013
orderdesk@aeroex.com

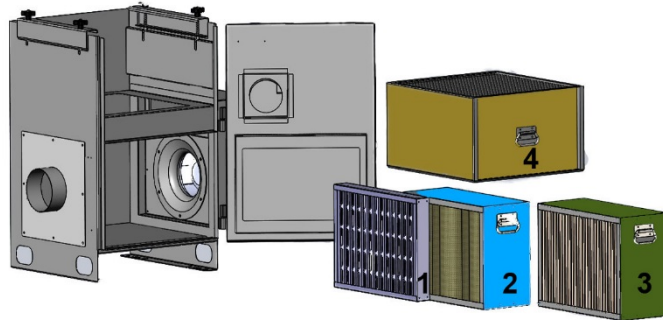
Sales
Tel: 905-655-7295
e:mail: sales@aeroex.com
www.aeroex.com



ARO-400 Multi-Stage Oil Mist Collector

Coolant Filtration Stages:

- 1 `ME` Mechanical Element
- 2 `AG` Agglomerator filter
- 3 `CM` Coolant Mist filter
- 4 `HF` HEPA Filter



Oil Filtration Stages:

- 1 `ME` Mechanical Element
- 2+3 `OM` Oil Mist Pack
- 4 `HF` HEPA Filter

